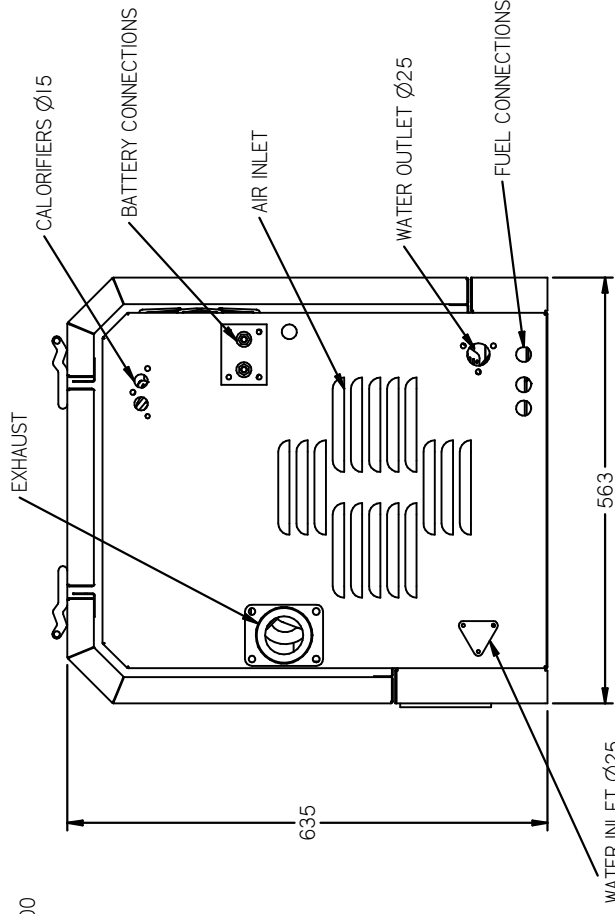
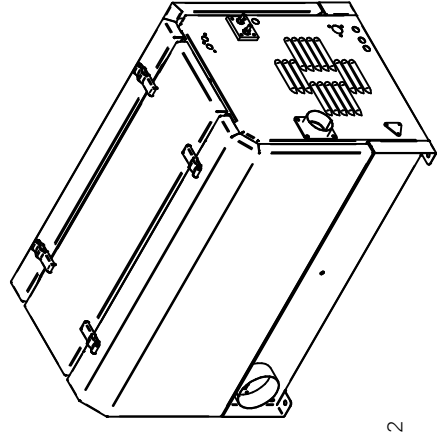
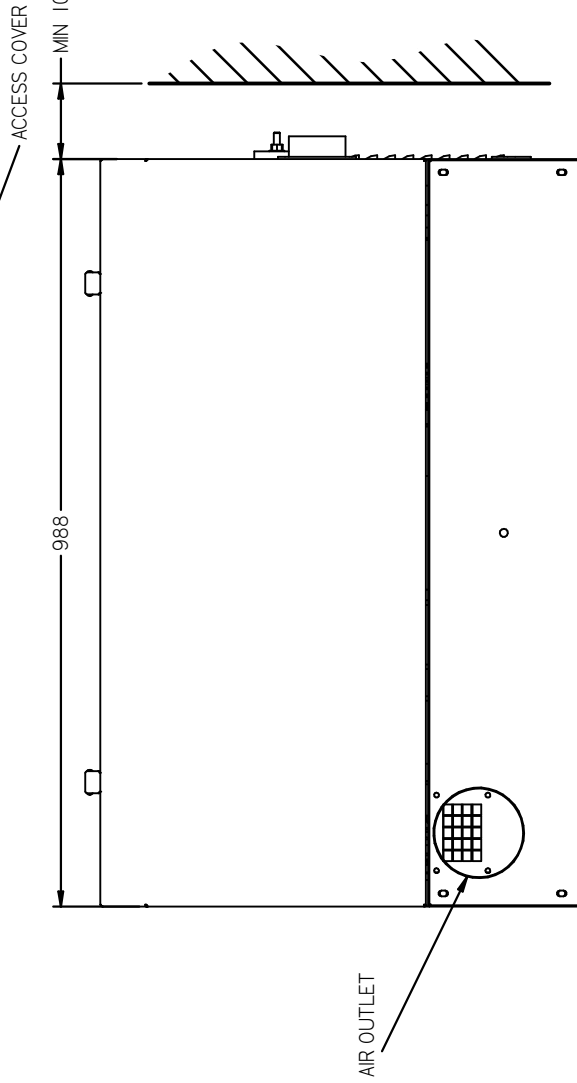


BOLTING CENTERS



REV	DESCRIPTION	DATE	APPD	DRAWN	NOTES
01					

NOTES: NPE32-E

TITLE:

BETAGEN 11-12 HOUSING

PART FILE NAME: BETAGEN11 MINI.ast

BETA MARINE LTD.  
 DAYWAY,  
 WATERWELLS,  
 QUEDGELEY,  
 GLOUCESTER, GL2 2AD, UK

**BETA MARINE**

TEL: (01452) 723492 FAX: (01452) 728916

DRAWN BY: TW

CHECKED BY: LT

SIZE: A4

SCALE: NTS

PAGE: 2 of 2

DWG NO: 100-07228

REV: 01

DATE: 30/08/2011