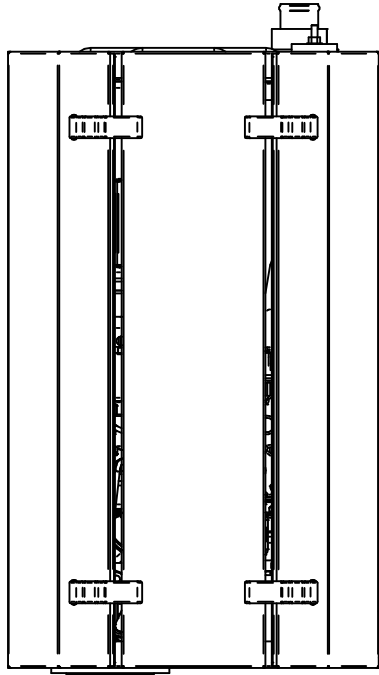
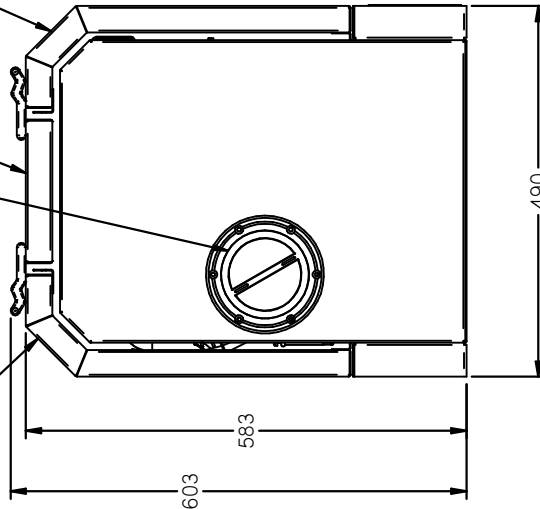


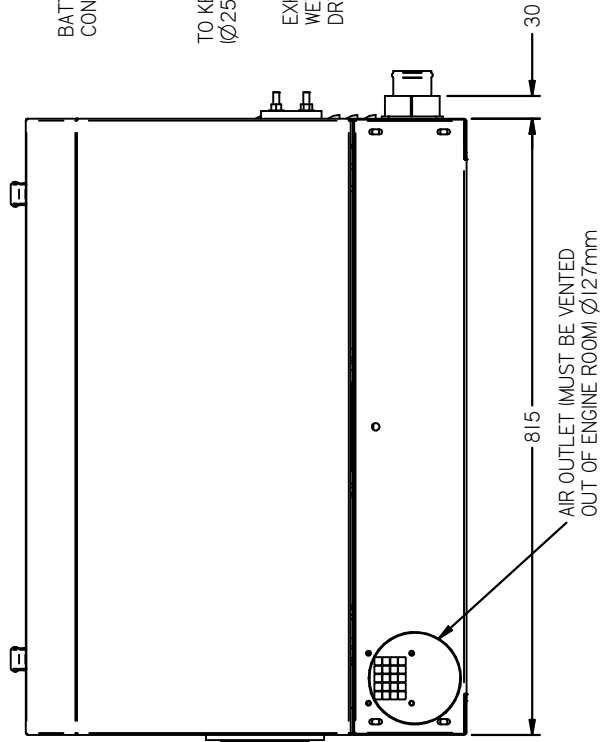
IMPELLER ACCESS

ACCESS COVER

ACCESS COVER



ACCESS COVER

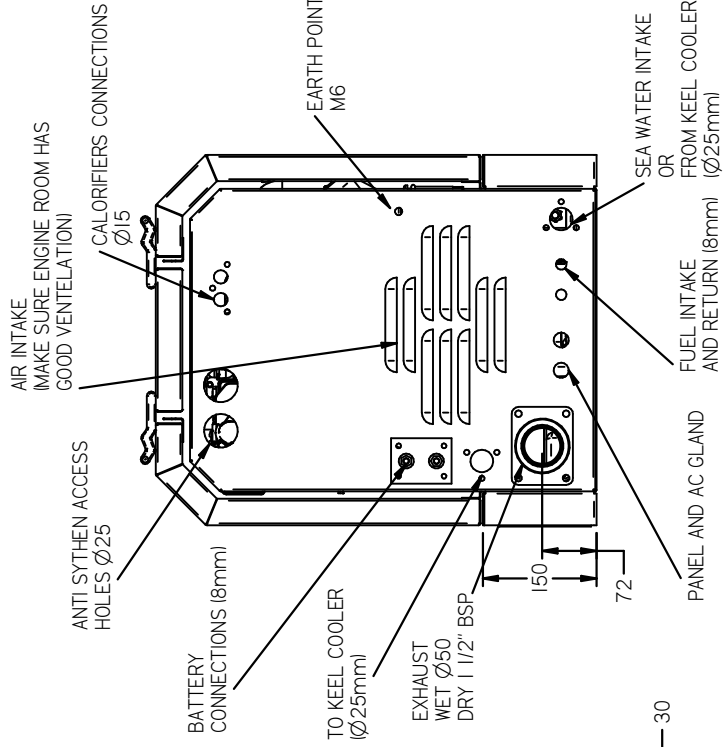


Ø 12 THRU

765

445

BOLTING DOWN HOLES



| REV | DESCRIPTION | DATE | APPD | DRAWN | NOTES | TITLE |
|---|---------------------------------|----------|------|-------|-------|--|
| 01 | | | | | | BETAGEN 4/2 & 6/2 |
| 03 | CHANGED TO SUIT ABL HEADER TANK | 30/11/11 | LT | TW | | |
| | | | | | | |
| DIMENSIONS IN MM (INCH) DO NOT SCALE | | | | | | DRAWN BY:- TW CHECKED BY:- LT |
| | | | | | | BETA MARINE LTD. DAVEY WAY WATERWELLS QUEDSBELLY, GLOUCESTER, GL2 2AD, UK TEL: (01452) 723492 FAX: (01452) 729916 |
| | | | | | | DWG NO. 100-05655 SCALE NTS PAGE 1 of 1 |
| | | | | | | REV 03 DATE 12/08/2009 |