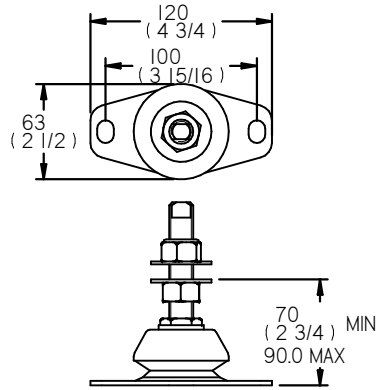
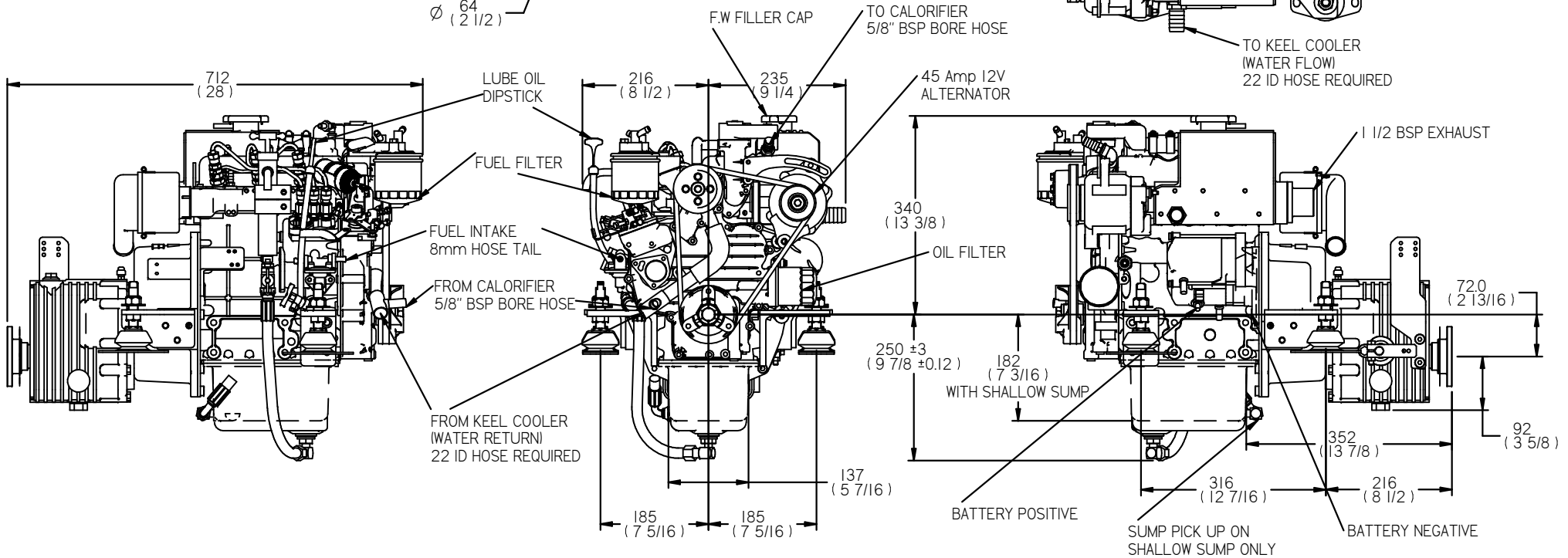
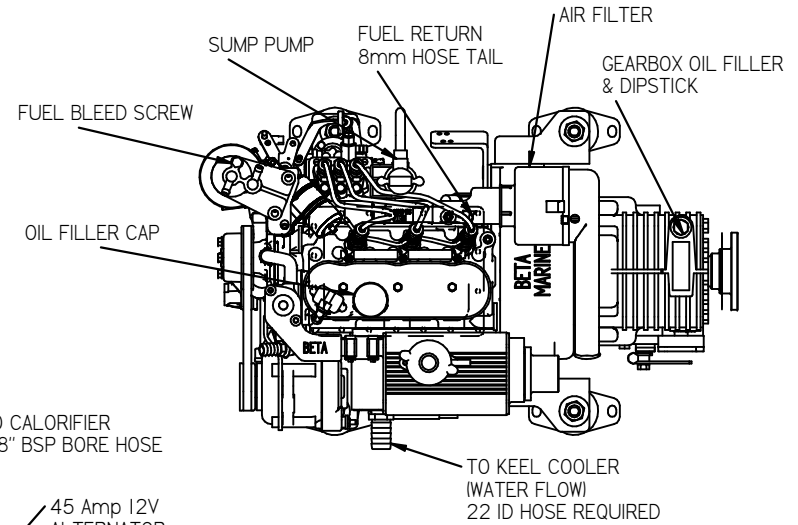
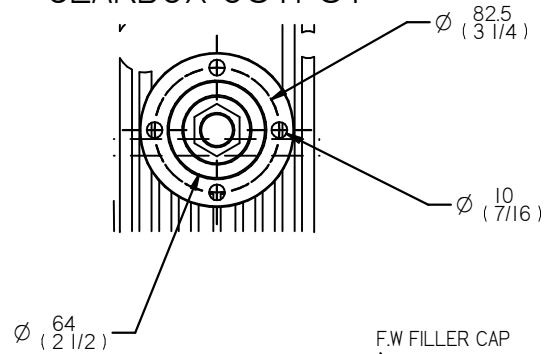


FLEXIBLE MOUNT DETAILS



GEARBOX OUTPUT



REV	DESCRIPTION	DATE	APP'D	DRAWN	NOTES	TITLE:
01						<b>BETA 20 (BD722) KEEL COOLED PRM125</b>
DIMENSIONS IN MM (INCH) DO NOT SCALE						PART FILE NAME: 100-08464 BD722 KC PRM120.asm <b>BETA MARINE</b> BETA MARINE LTD, DAVY WAY, WATERWELLS, QUEDGELEY, GLOUCESTER. GL2 2AD, UK TEL: (01452) 723492 FAX: (01452) 729916
DRAWN BY: TW		SIZE: A4		DWG NO: 100-08464		REV: 00
CHECKED BY: LT		SCALE: NTS		PAGE: 1 of 1		DATE: 19/03/2014