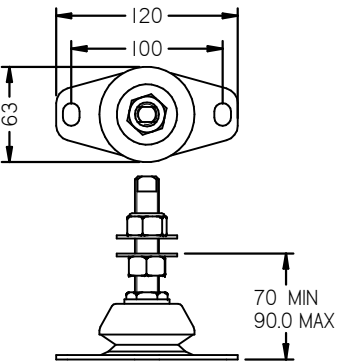
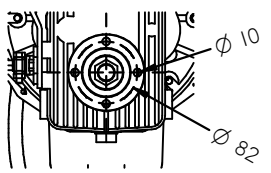


FLEXIBLE MOUNT DETAILS



GEARBOX OUTPUT



REV	DESCRIPTION	DATE	APP'D	DRAWN	NOTES	TITLE:
01						<b>BETA 30 KEEL COOLED PRM90 GEARBOX</b>
DIMENSIONS IN MM (INCH) DO NOT SCALE						PART FILE NAME: 100-05146 02 BETA 28 KC PRM80.asm <b>BETA MARINE</b> BETA MARINE LTD, DAVY WAY, WATERWELLS, QUEDGELEY, GLOUCESTER. GL2 2AD, UK TEL: (01452) 723492 FAX: (01452) 729916
DRAWN BY: TW CHECKED BY: LT						SIZE: A4 DWG NO: 100-05146 SCALE: NTS PAGE: 1 of 1 DATE: 19/03/2014
						REV: 03