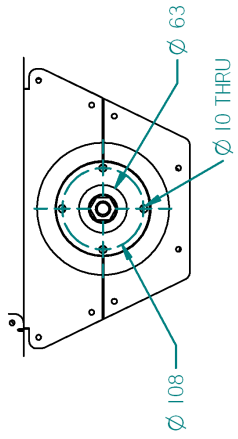
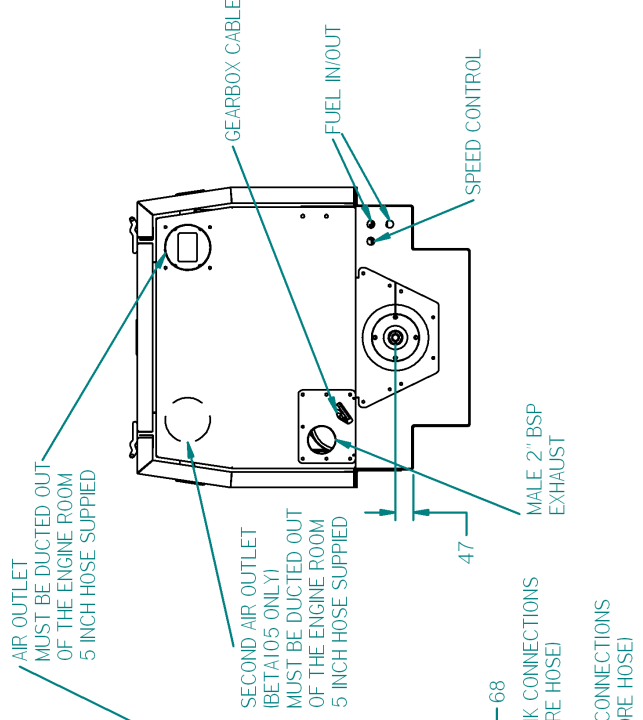
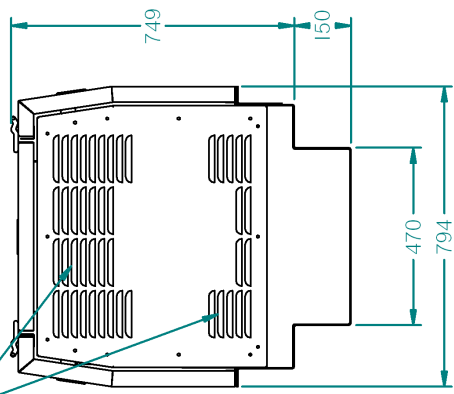


**GEARBOX OUTPUT**



AIR INTAKE (DO NOT COVER)  
ADEQUATE AIR INTAKE  
VENTS MUST BE INSTALLED  
IN ENGINE ROOM



REV	DESCRIPTION	DATE	APPD	DRAWN	NOTES
01	HIGHT ADDED FOR BETA 105	15/02/11	LT	TW	

TITLE: **BETA75-105S KEEL COOLED PRM260**

DRAWN BY: **TW** SIZE: **A4** DWG NO: **100-06102** REV: **01.**

CHECKED BY: **LT** SCALE: **1 of 1** PAGE: **1 of 1** DATE: **12/08/2009**

DIMENSIONS IN MM (INCH) DO NOT SCALE

PART FILE NAME: BETA 90S KC PRM260.asm

**BETA MARINE**

BETA MARINE LTD.  
DAYWAY  
WATERWELLS  
QUEDWELLY,  
GLOUCESTER. GL2 2AD, UK

TEL: (01462) 723492 FAX: (01462) 723916