

| REV | DESCRIPTION | DATE | APPD | DRAWN | NOTES |
|-----|-------------|------|------|-------|-------|
| 01  |             |      |      |       |       |
|     |             |      |      |       |       |
|     |             |      |      |       |       |
|     |             |      |      |       |       |
|     |             |      |      |       |       |

TITLE: BETA MARINE LTD. DAYWAY, WATERWELLS, QUEDSELLEY, GLOUCESTER, GL2 2AD, UK

PART FILE NAME: B43 (BV2003) KC PRM150 electric motor.asst

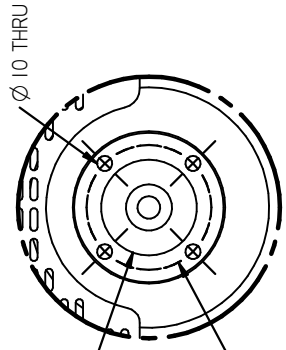
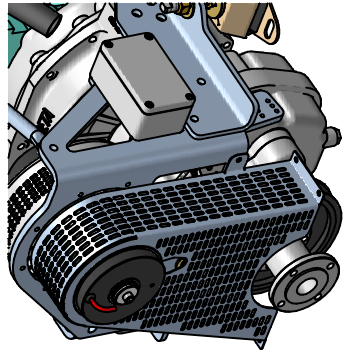
DIMENSIONS IN MM (INCH) DO NOT SCALE

DRAWN BY: TW  
CHECKED BY: LT

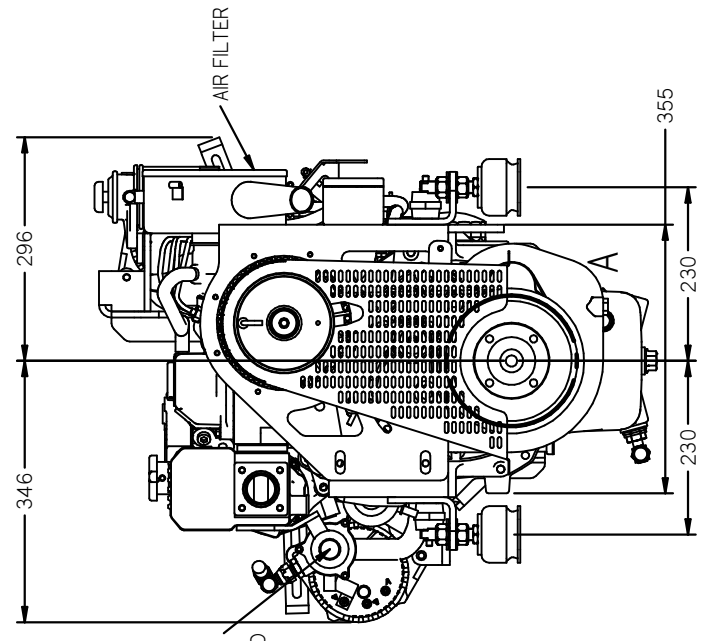
SCALE: NTS  
PAGE: 2 of 2

DATE: 12/08/2009

REV: 06



DETAIL A  
SHAFT OUTPUT



B43H AND B50H HYBRID DRIVE  
WITH PRM150 GEARBOX



TEL: (01452) 723492

FAX: (01452) 728916