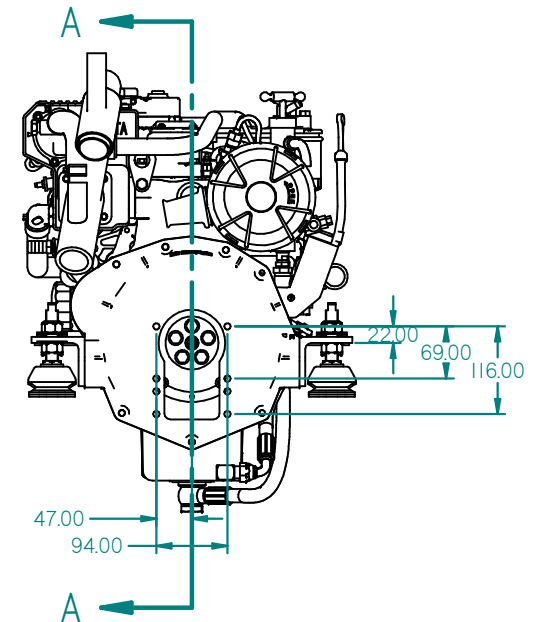
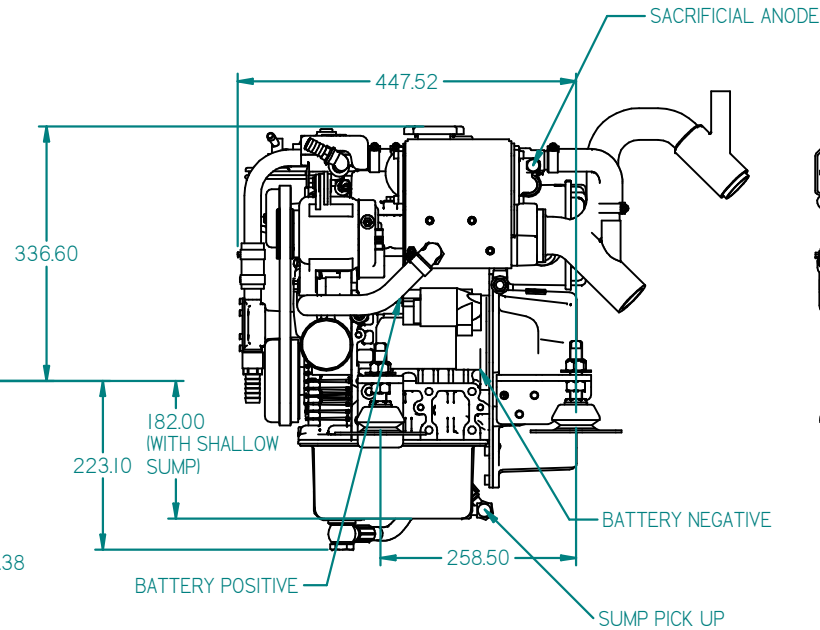
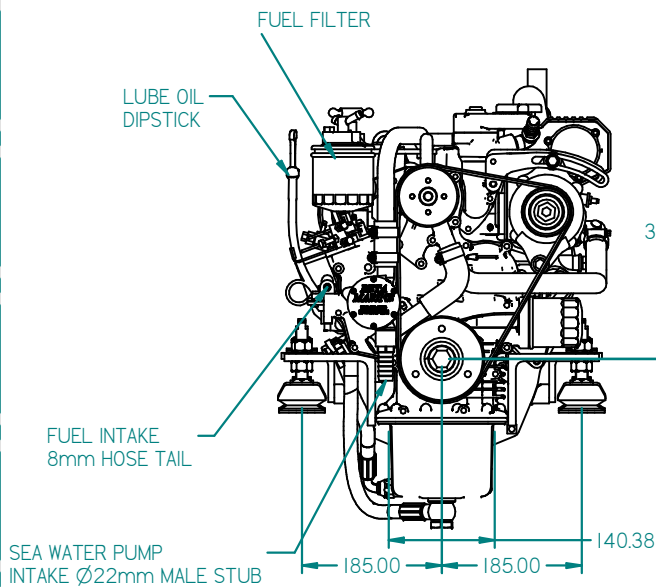
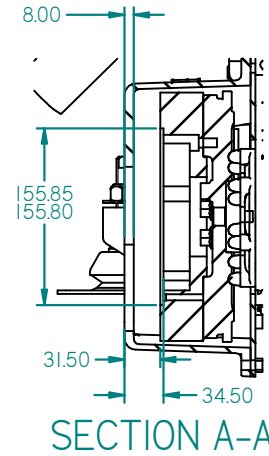
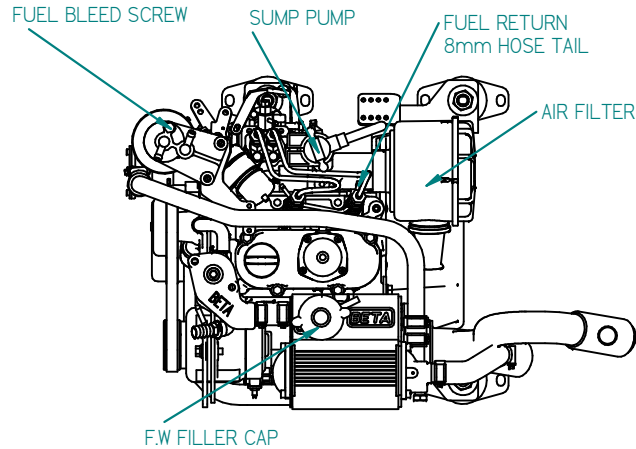
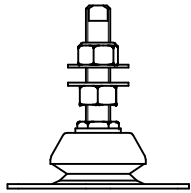
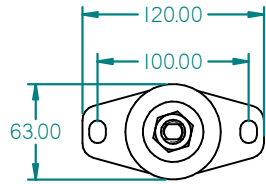


FLEXIBLE MOUNT DETAILS



REV	DESCRIPTION	DATE	APP'D	DRAWN	NOTES
01					

TITLE: **BETA 16HE BOB TAIL**

DIMENSIONS IN MM (INCH) DO NOT SCALE PART FILE NAME: 100-10592 B16HE BOB TAIL.asm

BETA MARINE

BETA MARINE LTD,
DAVY WAY,
WATERWELLS,
QUEDGELEY,
GLOUCESTER. GL2 2AD, UK

DRAWN BY: JLT	SIZE A4	DWG NO: 100-10592	REV 00
CHECKED BY: TW	SCALE NTS	PAGE 1 of 1	DATE 11/05/2016

TEL: (01452) 723492

FAX: (01452) 729916