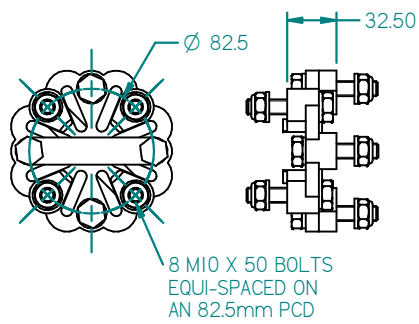
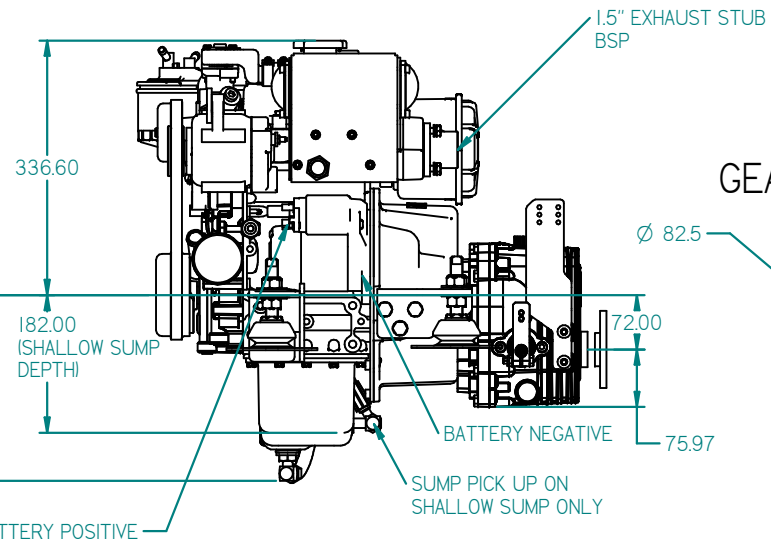
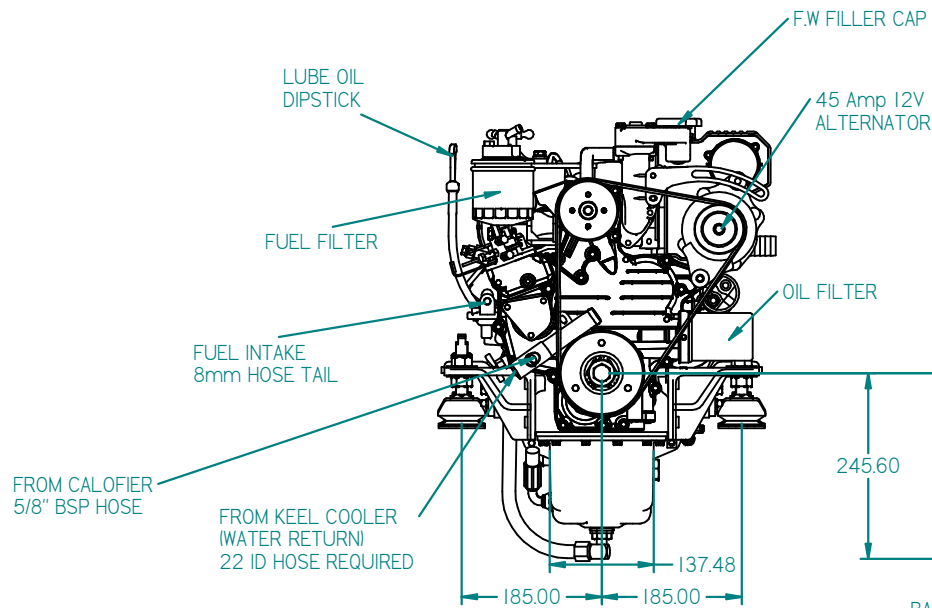
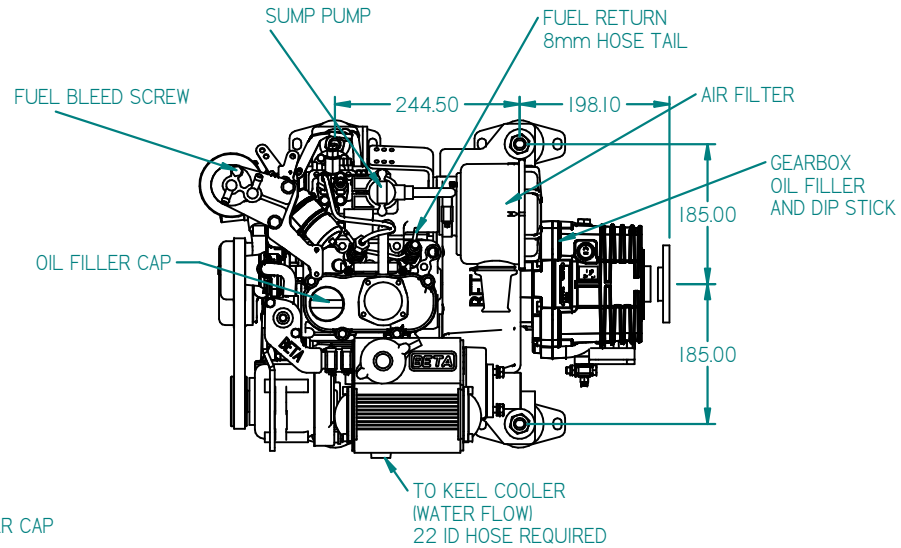
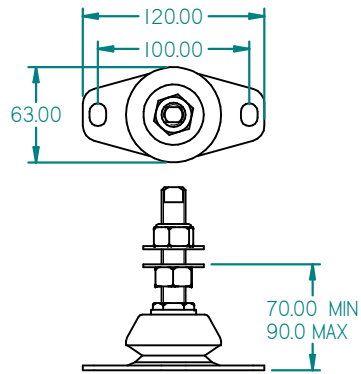


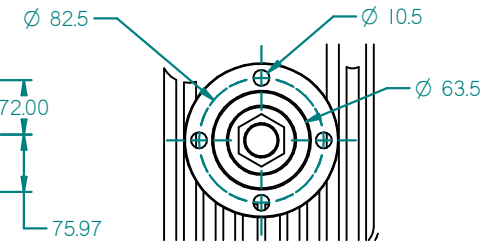
FLEXIBLE COUPLING DETAILS



FLEXIBLE MOUNT DETAILS



GEARBOX OUTPUT



REV	DESCRIPTION	DATE	APP'D	DRAWN	NOTES
01					

TITLE:  
**BETA10-14 KEEL COOLED  
PRM90**

DIMENSIONS IN MM (INCH)  
DO NOT SCALE



PART FILE NAME: 100-10755 BETA10-14KC PRM80.asm

**BETA MARINE**

TEL: (01452) 723492

FAX: (01452) 729916

BETA MARINE LTD,  
DAVY WAY,  
WATERWELLS,  
QUEDGELEY,  
GLOUCESTER. GL2 2AD, UK

DRAWN BY:  
JLT

CHECKED BY:  
TW

SIZE  
A4

SCALE  
NTS

DWG NO:  
**100-10755**

PAGE  
1 of 1

REV  
**00**

DATE  
07/12/2016