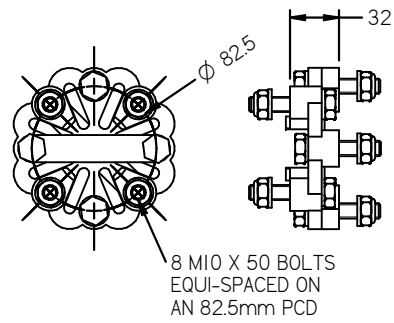
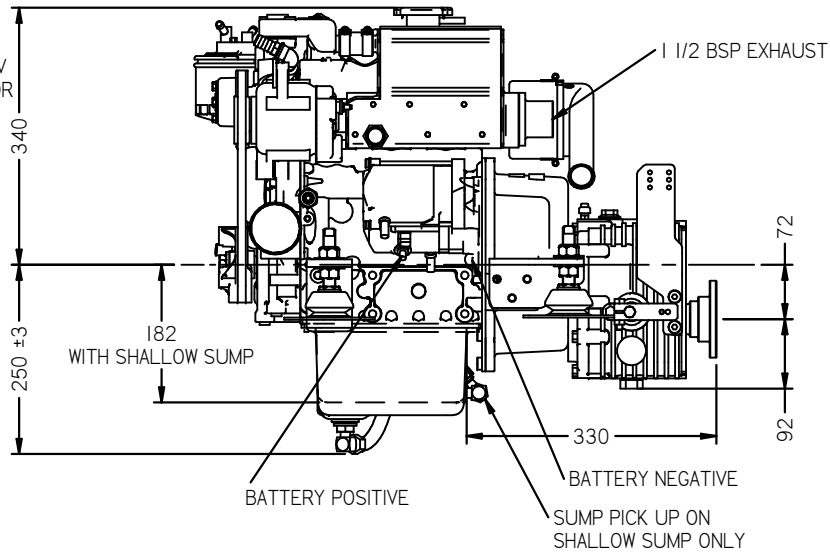
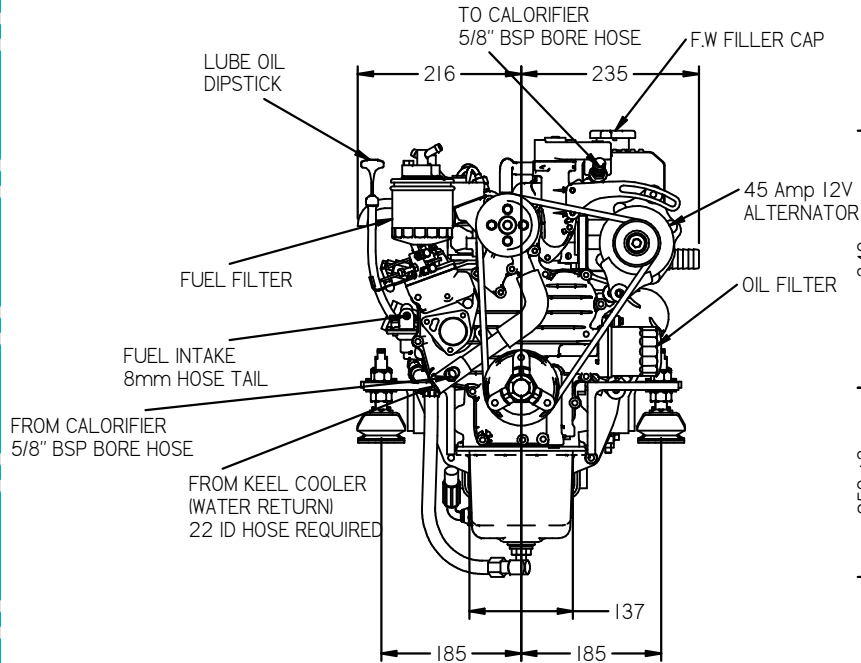
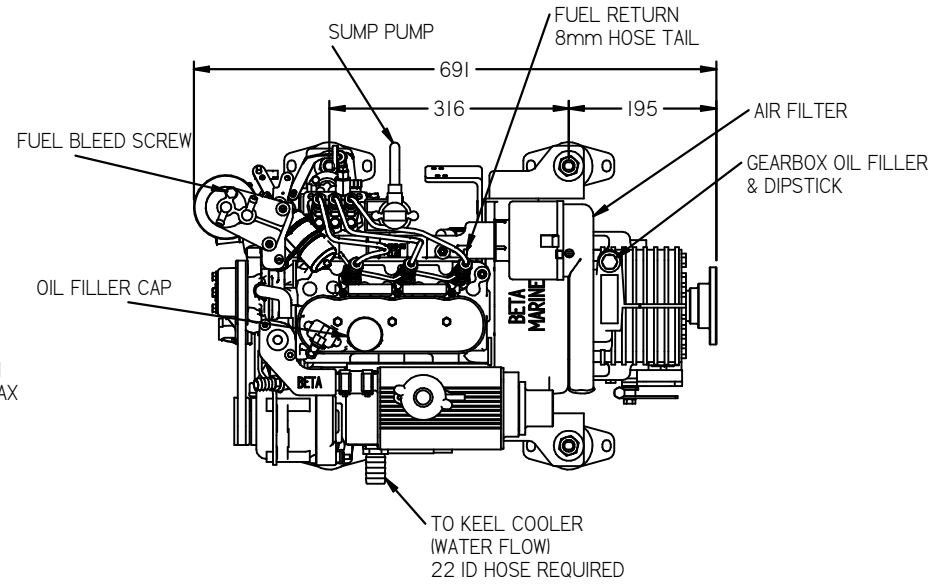
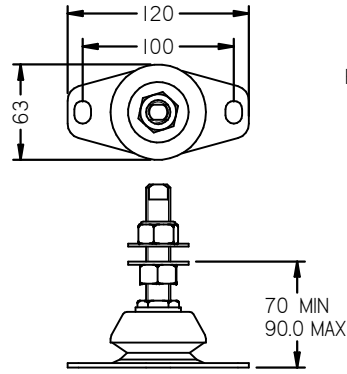


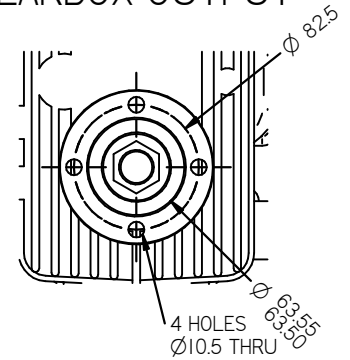
FLEXIBLE COUPLING DETAILS



FLEXIBLE MOUNT DETAILS



GEARBOX OUTPUT



REV	DESCRIPTION	DATE	APP'D	DRAWN	NOTES
01	ADDED NOTES	08-12-05	DM	TW	
02	FUEL FILTER, TANK AND AIR FILTER	25/10/05	LT	TW	
03	CALORIFIERS AND TIER2 CLOSED BREATHER	21/12/05		TW	

TITLE

**BETA 20 KEEL COOLED
PRM90 GEARBOX**

DIMENSIONS IN MM (INCH)
DO NOT SCALE

BETA MARINE

BETA MARINE LTD,
DAVY WAY,
WATERWELLS,
QUEDGELEY, GLOUCESTER,
GL2 2AD, U.K

DRAWN BY:- TW
CHECKED BY:-

SIZE A4
SCALE

DWG NO. 100-05749
PAGE 1 of 1

REV 03
DATE 19/03/2014