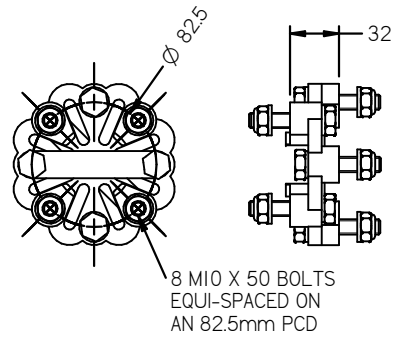
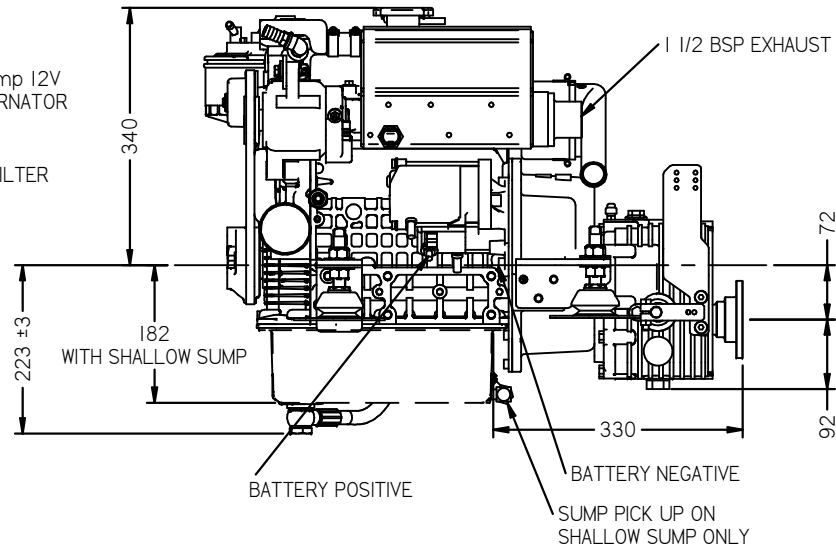
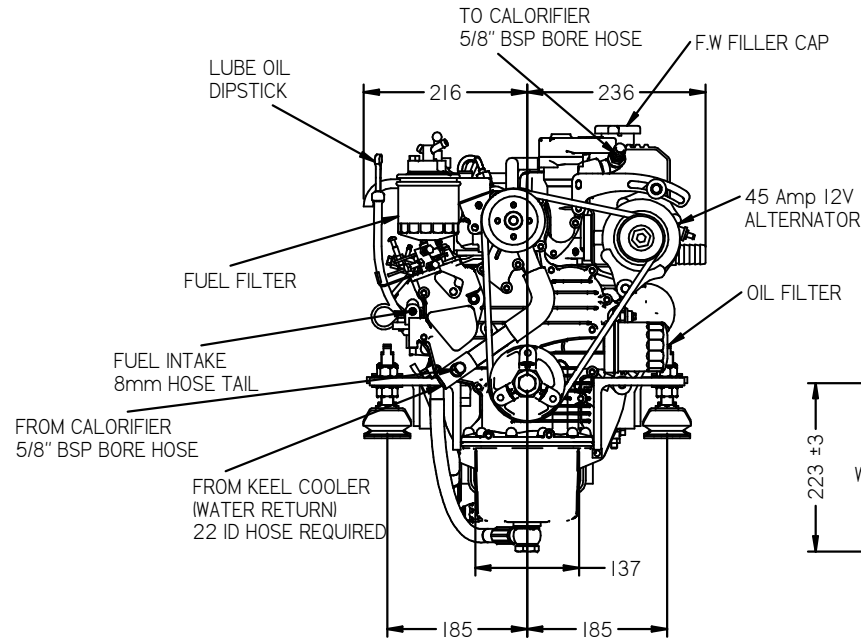
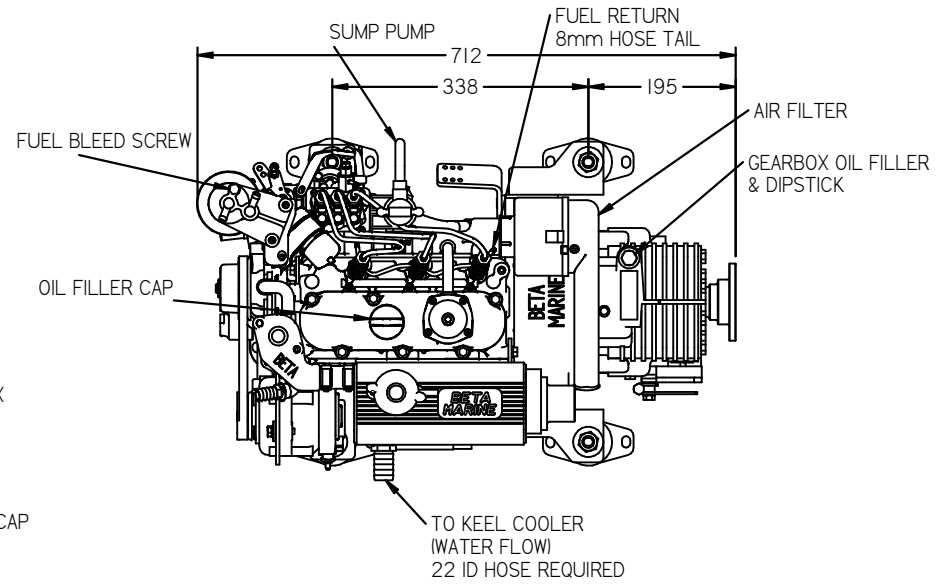
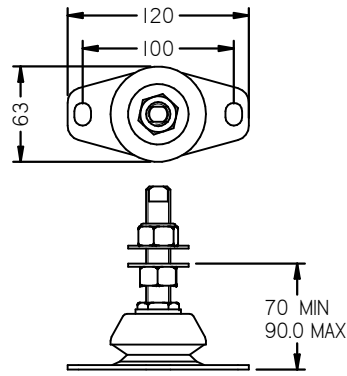


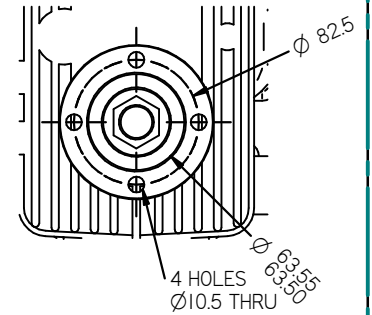
FLEXIBLE COUPLING DETAILS



FLEXIBLE MOUNT DETAILS



GEARBOX OUTPUT



REV	DESCRIPTION	DATE	APP'D	DRAWN	NOTES
01					

NOTES

DIMENSIONS IN MM (INCH)
DO NOT SCALE

BETA MARINE

BETA MARINE LTD,
MERRETT'S MILLS,
BATH ROAD,
SOUTH WOODCHESTER,
STROUD, GLOS. GL5 5EU

DRAWN BY: TW
CHECKED BY: LT

TITLE

**BETA 25 (BD902) KEEL COOLED
PRM90 GEARBOX**

SCALE

SIZE A4
DWG NO. 100-06799
PAGE 1 of 1

REV 00
DATE 19/03/2014