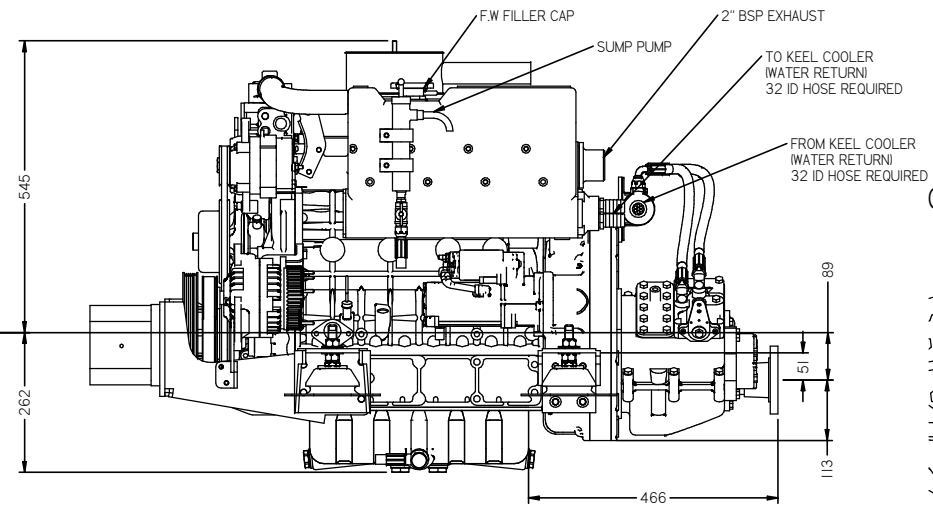
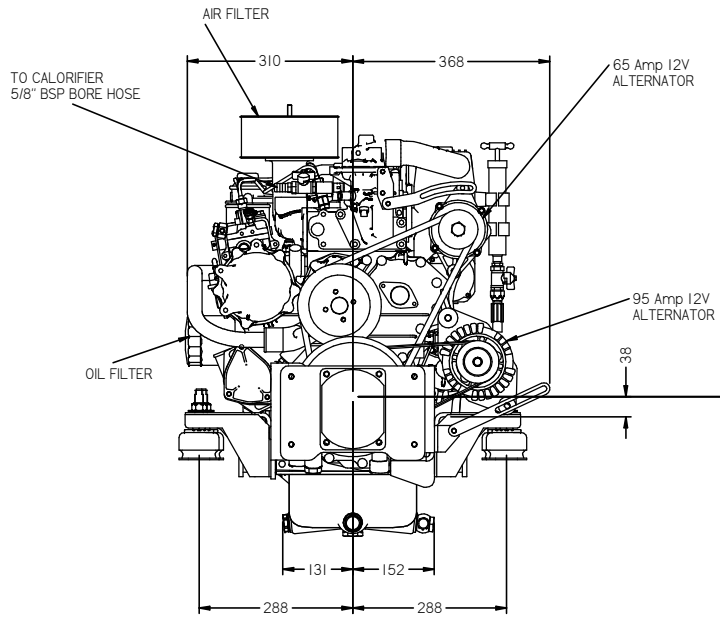
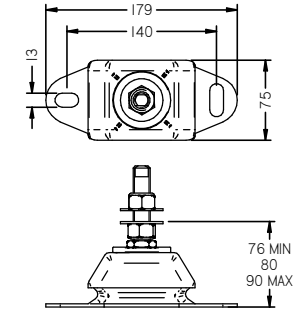
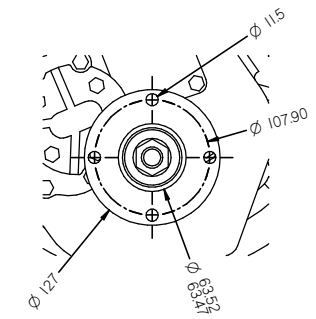


FLEXIBLE MOUNT DETAILS



GEARBOX OUTPUT



REV	DESCRIPTION	DATE	APPD	DRAWN
01				

NOTES		TITLE	
NOTES		BETA 75KC PRM280 GEARBOX WITH BOW THRUSTER	
DIMENSIONS IN MM (INCH) DO NOT SCALE		DRAWN BY: TW	
BETA MARINE		SIZE: A4	DWG NO: 100-06912
BETA MARINE LTD. MERRET'S HILLS, BATH ROAD, SOUTH WOODCHESTER, STROUD, GLOS. GL5 5EU		CHECKED BY: LT	REV: 00
TEL: (01453) 835282	FAX: (01453) 835284	SCALE: NTS	PAGE: 1 of 1
		DATE: 19/03/2014	