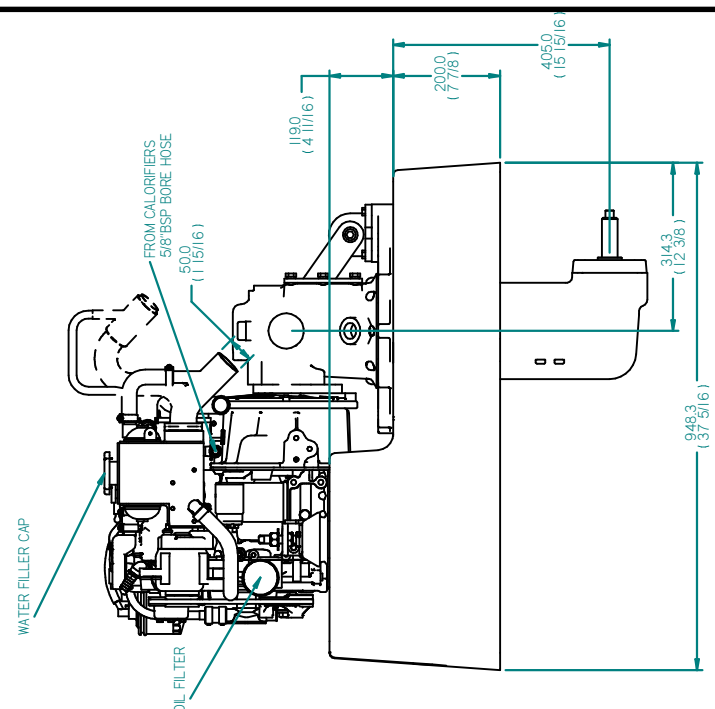
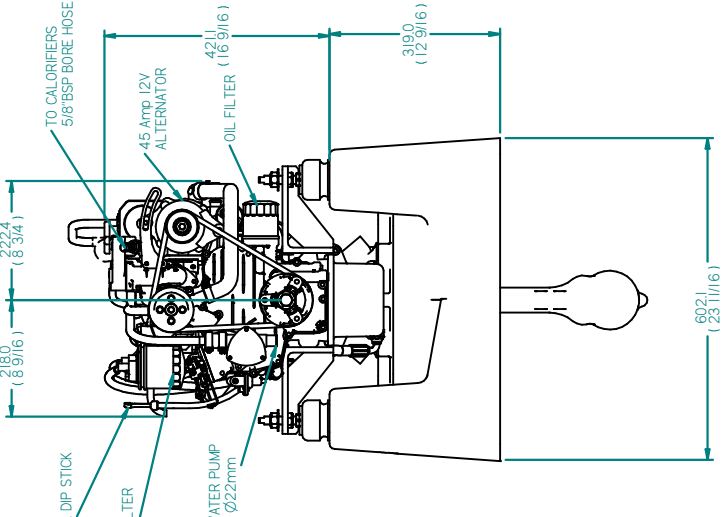
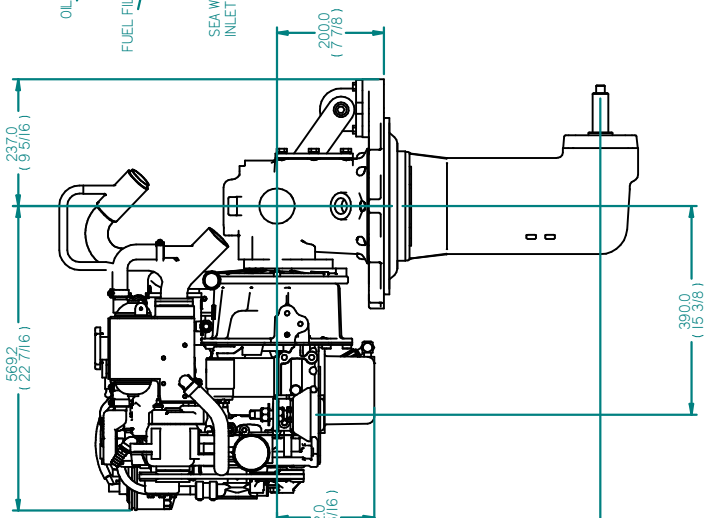
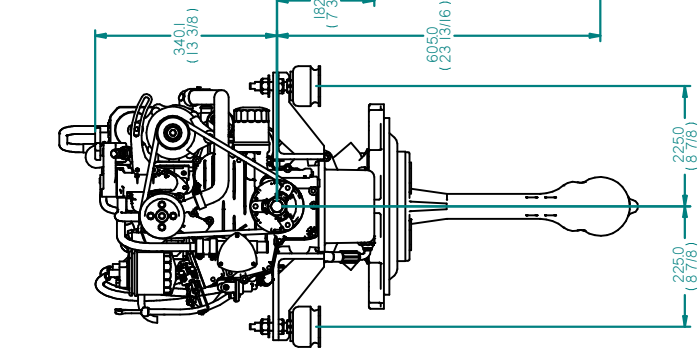
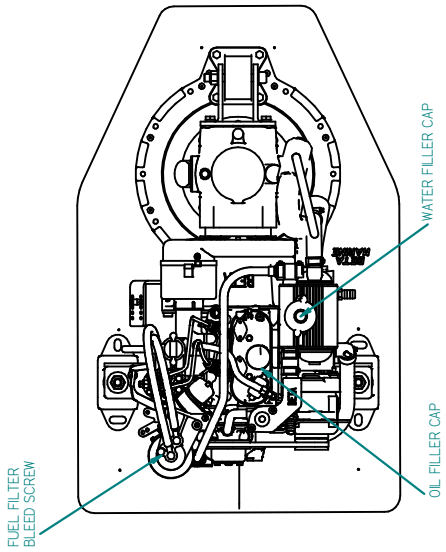
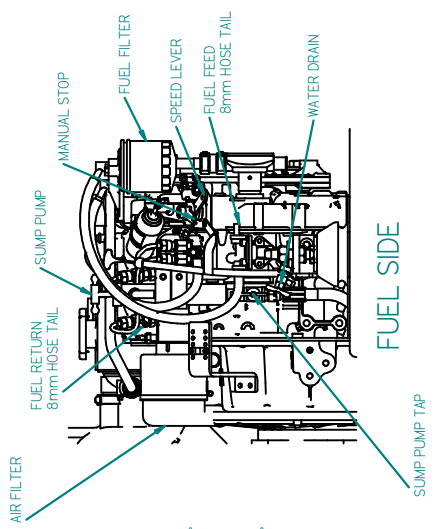
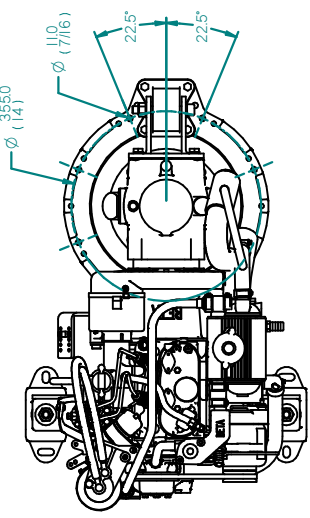
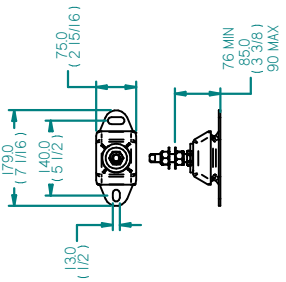


FLEXIBLE MOUNT



WITHOUT BASE

WITH BASE

REV	DESCRIPTION	DATE	APPD	DRAWN
01				

NOTES

TITLE: **BETA 14 HEAT EXCHANGE SEAPROP 60**

DIMENSIONS IN MM (INCH) DO NOT SCALE

PART FILE NAME: BETA14 HE HURTH SEAPROP60 100-08965_80M

BETA MARINE LTD. WATERWELL, GLOUCESTER, GL2 2AD, UK

TELE: (01452) 723492 FAX: (01452) 728166

SCALE: NTS

PAGE: 1 of 1

DATE: 19/05/2010

REV: 01

DWG NO: 100-08965

SIZE: AS

DRAWN BY: TV

CHECKED BY: LT

