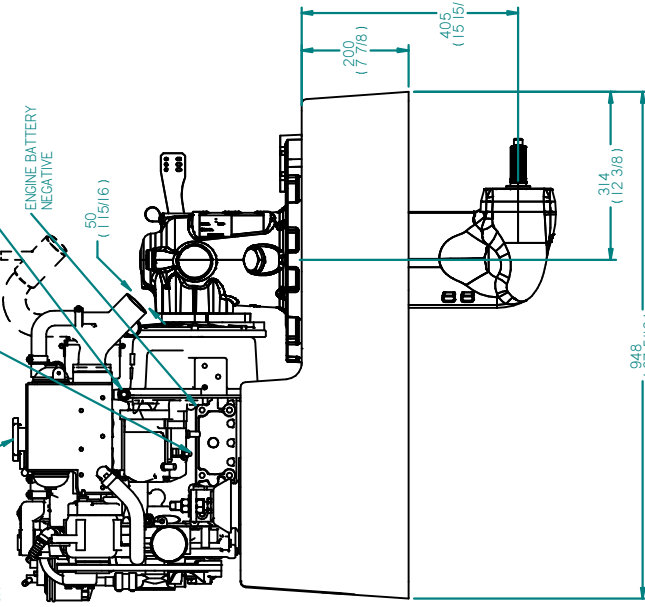
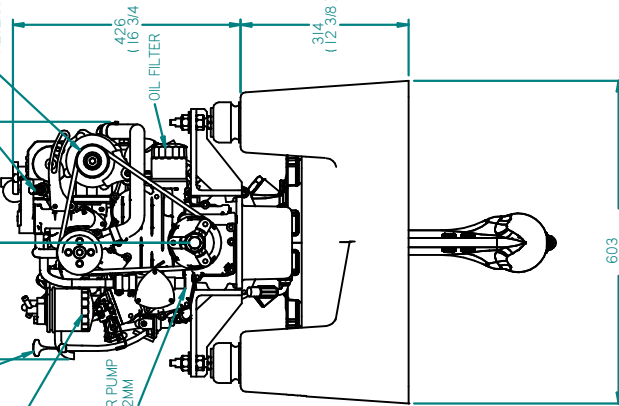
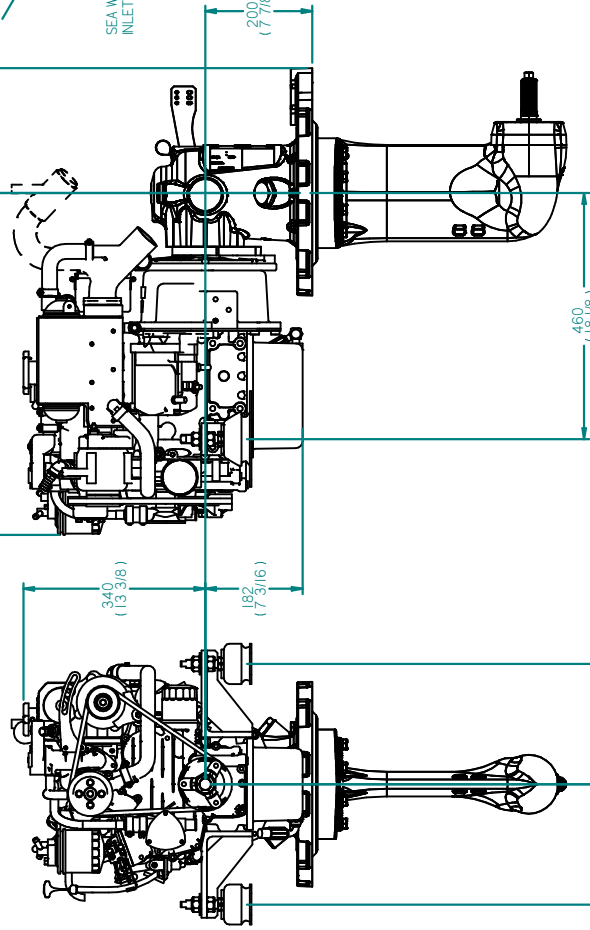
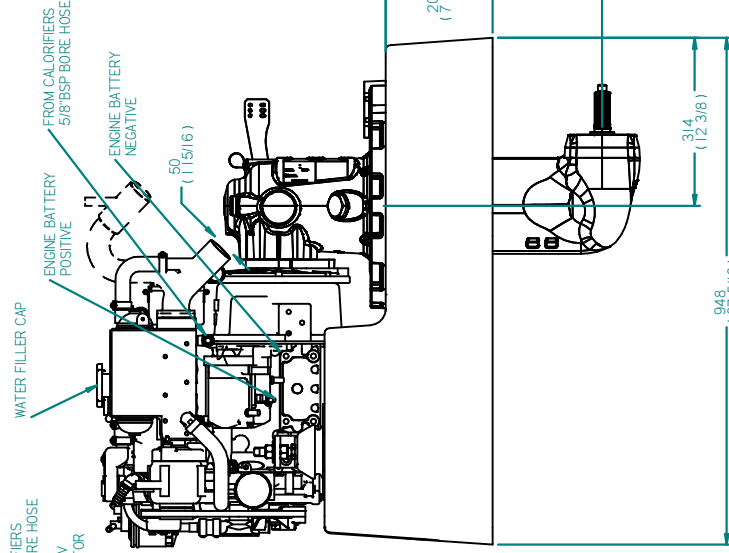
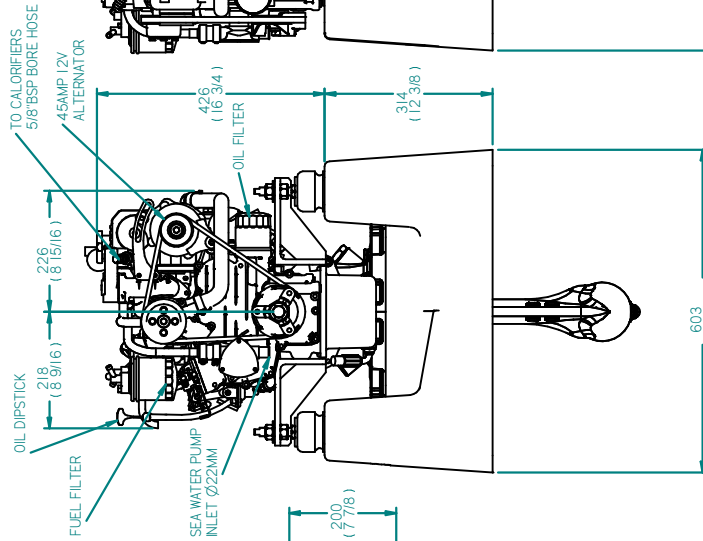
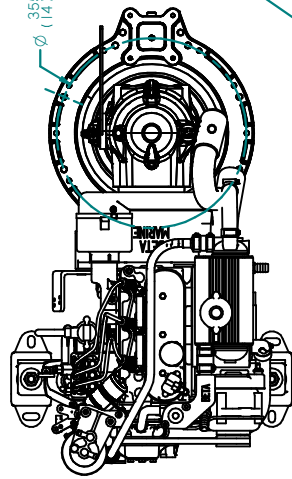
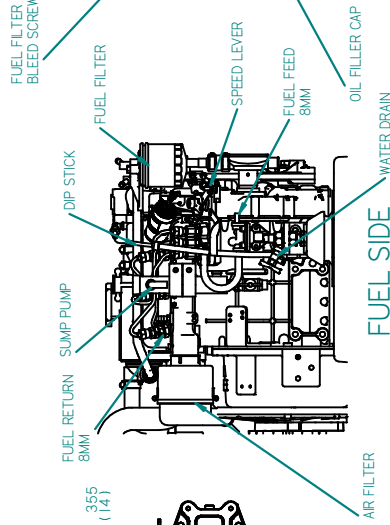
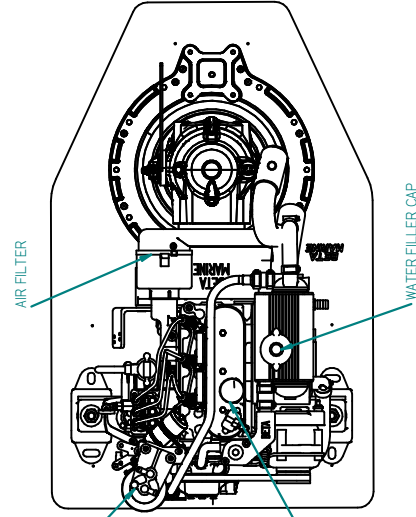
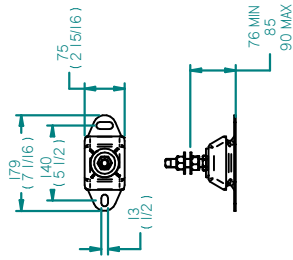


FLEXIBLE MOUNT



REV	DESCRIPTION	DATE	APPD	DRAWN
01				

NOTES

TITLE: **BETA20 HEAT EXCHANGE SEA PROP 60**

DIMENSIONS IN MM (INCH) DO NOT SCALE

BETA MARINE
 BETA MARINE LTD.
 WATERWELL, GLOUCESTER, GL2 2AD, UK
 TEL: (01452) 723492 FAX: (01452) 728166

PART FILE NAME: BETA20 HE SEAPROP 60 100-08836 880

DRAWN BY: **TW** CHECKED BY: **LT**

SIZE: **A3** SCALE: **1 of 1**

DWG NO: **100-08836** PAGE: **1 of 1**

REV: **00** DATE: **02/12/2010**